

LCC/SRBC3

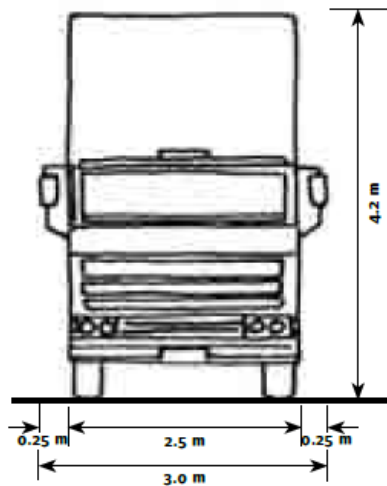
Appendix 26

Typical Vehicle Widths

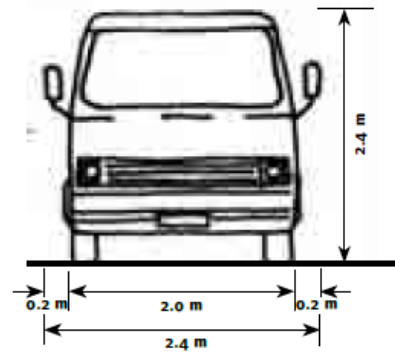
Required Carriageway Widths

Figure 6.18 in Manual for Streets shows the typical dimensions of HGVs and cars:

Lorry



Van/mini bus



Family saloon

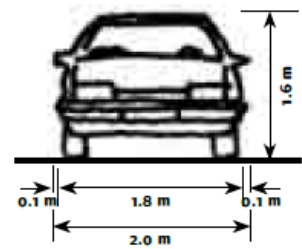


Figure 6.18 Private and commercial motor-vehicles – typical dimensions.

Figure 7.1 from Manual for Streets shows what carriageway widths can accommodate.



Figure 7.1 Illustrates what various carriageway widths can accommodate. They are not necessarily recommendations.

Based on the measurements of HGVs in Figure 6.18 and the road width required to accommodate two passing HGVs in Figure 7.1, it can be assumed that the driver side wing mirrors have been included in the required carriageway widths, but the passenger side wing mirrors have not.

The required carriageway widths shown in Figure 7.1 are for use on roads in residential situations where vehicle speeds can be assumed to be lower than on rural national speed limit roads. Due to this and the frequency of high hedges being in close proximity to the edge of the carriageway, the width of vehicles' passenger side wing mirrors have been added to the required carriageway width.

Vehicle 1	Vehicle 2	Figure 7.1 Road Carriageway Width (metres)	Vehicle 1 Wing Mirror (Metres)	Vehicle 2 Wing Mirror (Metres)	Required Road Width (Metres)
HGV	HGV	5.50	0.25	0.25	6.00
HGV	Car	4.80	0.25	0.10	5.15
Car	Car	4.10	0.10	0.10	4.30